

# Ignition Module IM 3.2



This module is an external ignition power stage capable of supplying up to three non-transistorized ignition coils.

The IM input signal should be supplied by an ECU with ignition signal outputs in the range of 10 to 20 mA, e.g. MS 6.

The IM unit combines the robustness of a high quality production part with good electrical performance to provide an ideal solution for adapting non-transistorized coils to an ECU without internal ignition driver stages.

## Application

Primary current	≤ 8.5 A
Clamp voltage	380 ± 30 V
Operating temperature range at measuring point	-40 to 120°C
Storage temperature range	-40 to 130°C
Max. rpm (ensure chilled mounting position)	8,000
Max. vibration	400 m/s <sup>2</sup> at 5 to 2,500 Hz

## Technical Specifications

### Mechanical Data

Size	71 x 48 x 21 mm
Weight w/o wire	47 g
Mounting	2 x M4 screws with spring washer
Operating temperature	-40 to 110°C
Permissible fuel temperatures	≤ 70°C

- ▶ Max. 3 cylinders
- ▶ 47 g
- ▶ Fits to all ECUs without internal ignition power stage like MS 6
- ▶ Especially adapted for Coils P50(-M) and P65

## Electrical Data

U <sub>Batt</sub> typical	13.5 V
Voltage supply	6 to 16.5 V
I <sub>B</sub> high active on	min. 10 mA
I <sub>B</sub> low off	0 mA
I <sub>B</sub>	10 to 22 mA
I <sub>C</sub> typical	≤ 8.5 A
I <sub>C</sub> max. at T <sub>U</sub> < 120°C	< 10 A
U <sub>CE</sub> satt at I <sub>C</sub> = 5 A	< 3 V
U <sub>CE</sub> satt at I <sub>C</sub> max	< 9 V

## Characteristic

Characteristic dwell time	See characteristic dwell time from the ignition coil used
Internal transistor	Triple Darlington

## Connectors and Wires

Connector	Bosch Jetronic 7-pole
Mating connector	F02U.B00.252-01
7-pole Jetronic	
Pin 1	Collector transistor 1
Pin 2	Basis transistor 1
Pin 3	Collector transistor 2
Pin 4	Gnd
Pin 5	Basis transistor 2
Pin 6	Collector transistor 3
Pin 7	Basis transistor 3

**Installation Notes**

This ignition module can be used with Coils P50(-M) and P65 or comparable coils.

Please ensure that the connectors are safe from water.

The IM has to be mounted onto a cooling body. The mounting surface needs a planarity of 0.2 mm.

A heat conductive paste has to be used.

This ignition module is designed for use with engine control units which have no integrated ignition transistor.

Please observe the specified limit values.

Please do not activate more than one ignition output stage parallel within a module.

Please find further application hints in the offer drawing at our homepage.

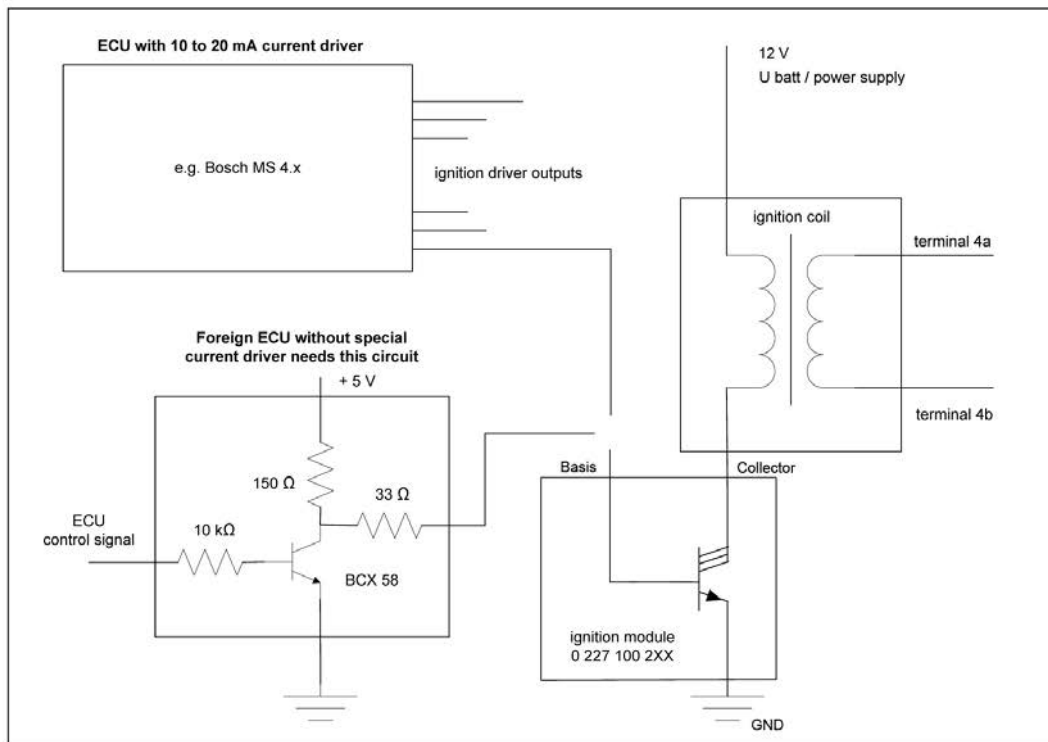
**Legal Restrictions**

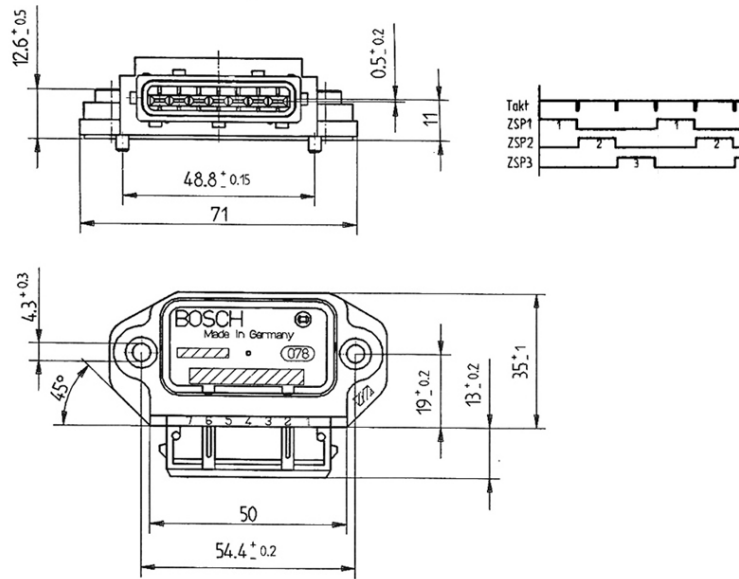
The sale of this product in Mexico is prohibited.

**Ordering Information**

**Ignition Module IM 3.2**  
Order number **0227.100.203**

**Dimensions**





**Represented by:**

**Europe:**  
 Bosch Engineering GmbH  
 Motorsport  
 Robert-Bosch-Allee 1  
 74232 Abstatt  
 Germany  
 Tel.: +49 7062 911 9101  
 Fax: +49 7062 911 79104  
 motorsport@bosch.com  
 www.bosch-motorsport.de

**North America:**  
 Bosch Engineering North America  
 Motorsport  
 38000 Hills Tech Drive  
 Farmington Hills, MI 48331-3417  
 United States of America  
 Tel.: +1 248 876 2977  
 Fax: +1 248 876 7373  
 motorsport@bosch.com  
 www.bosch-motorsport.com

**Asia-Pacific:**  
 Bosch Engineering Japan K.K.  
 Motorsport  
 18F Queen's Tower C, 2-3-5 Minato  
 Mirai Nishi-ku, Yokohama-shi  
 Kanagawa 220-6218  
 Japan  
 Tel.: +81 45 650 5610  
 Fax: +81 45 650 5611  
 www.bosch-motorsport.jp

**Australia, New Zealand and South Africa:**  
 Robert Bosch Pty. Ltd  
 Motorsport  
 1555 Centre Road  
 Clayton, Victoria, 3168  
 Australia  
 Tel.: +61 (3) 9541 3901  
 motor.sport@au.bosch.com